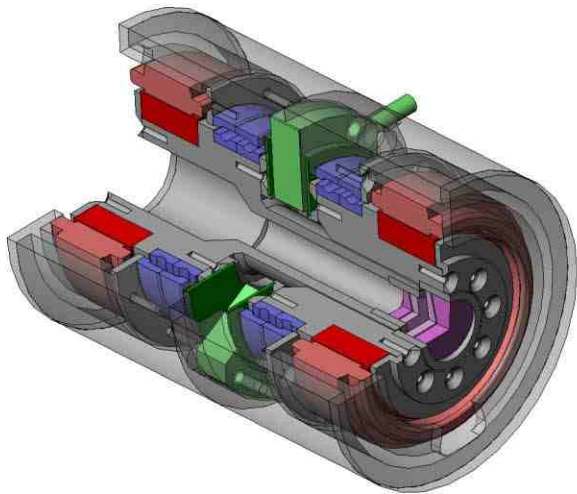


APPLICATIONS:

- Free-space optical communications*
- InfraRed countermeasures*
- Laser-beam tracking*
- Target designation*



OPTRA provides:

- Research & Development services*
- Integrated optical, mechanical & electronic design services*
- Manufacturing services*

OPTRA Inc.
461 Boston Street
Topsfield, MA 01983



OPTRA

OPTRA Inc.
461 Boston Street, Topsfield, MA 01983
978-887-6600 www.optra.com



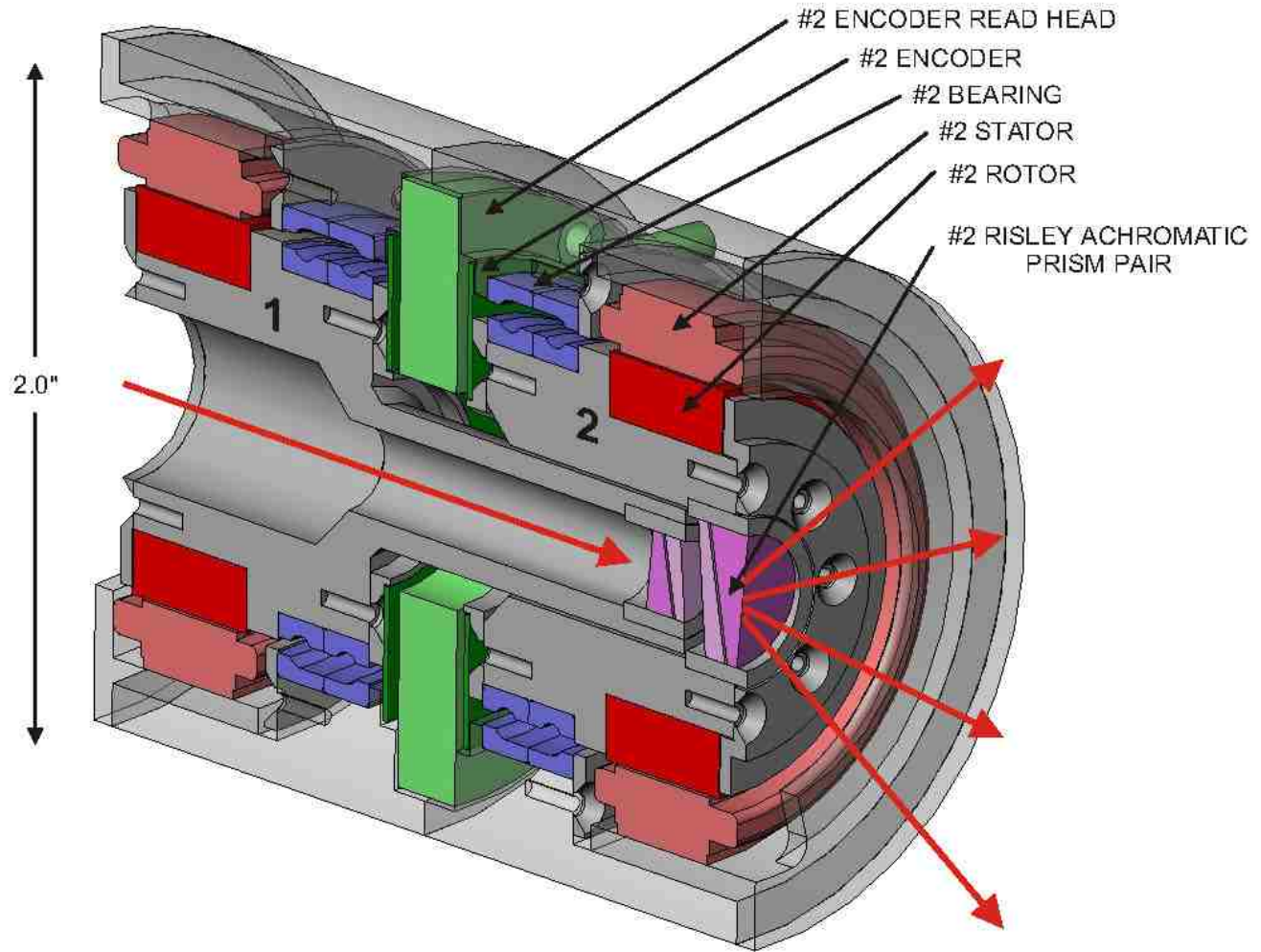
**Compact, Fast, Achromatic
Risley Beam-Steering for
Small-Diameter Laser Beams**

- Steering range: 120° full cone angle
- Compact and light-weight; easily fits within an AAR-47 can
- 50 Hz Closed-Loop bandwidth
- Up to 3mm diameter laser beam
- Achromatic from 2.0 m to 4.7 m (max. chromatic pointing error 0.2 mrad)
- -40° to +70°C operating temperature
- High-speed spiral scan capability
- Operates with 1" diameter flat window

For further information
please contact OPTRA, Inc. at
info@optra.com



**ACHROMATIC RISLEY PRISMS FOR ACCURATE,
HIGH-SPEED BEAM-STEERING from 2.0 m to 4.7 m**



By separately rotating parts 1 and 2 about their common cylinder axis, the input laser beam can be steered to any angle up to 60° off of the axis.