

4

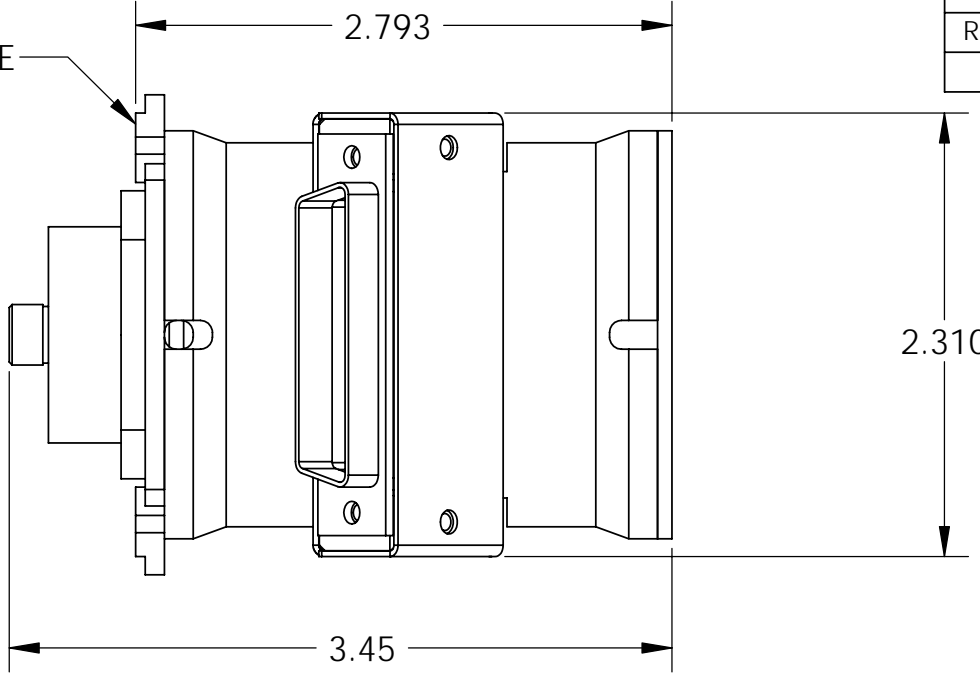
3

2

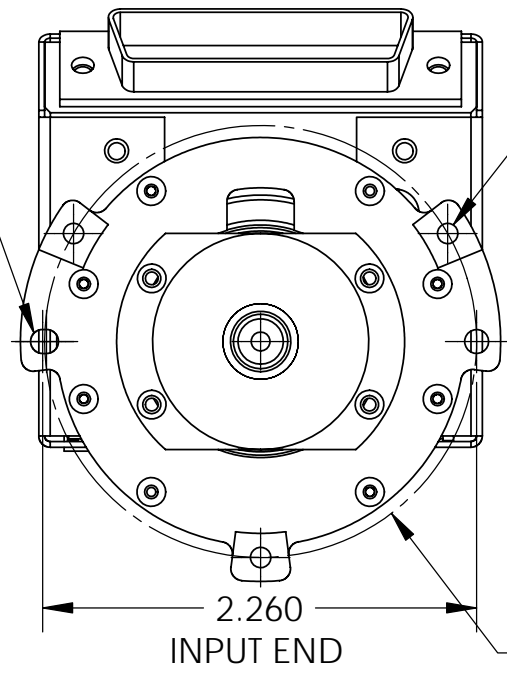
1

REVISIONS			
REV	DESCRIPTION	DATE	APPD

3X MOUNTING SURFACE

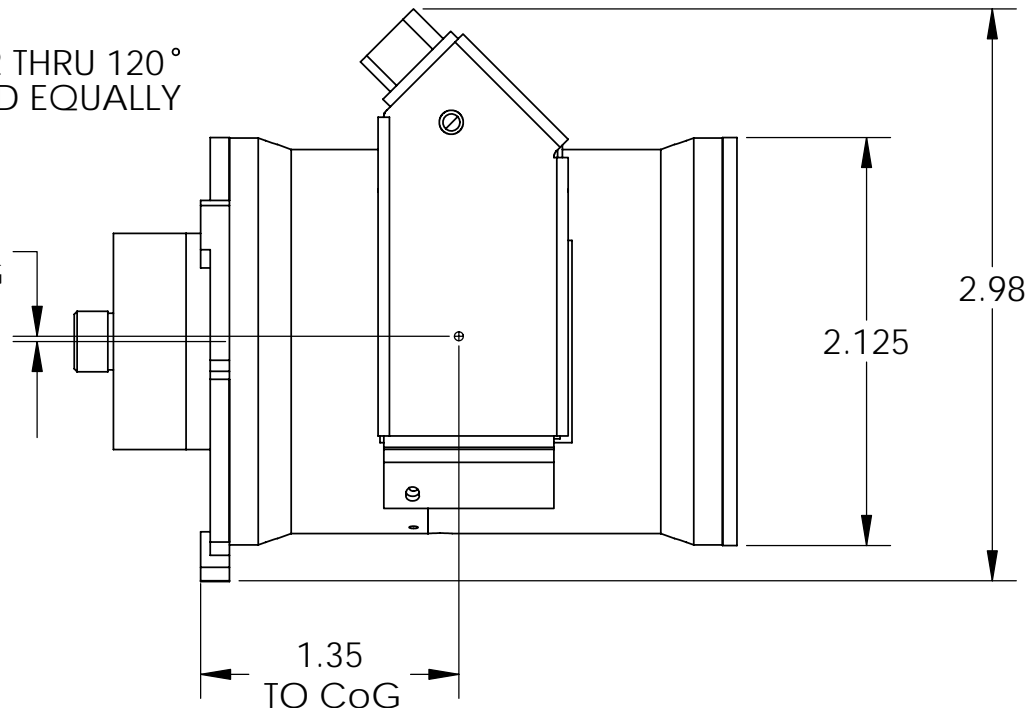


HOLE/SLOT FOR Ø.1253/.1251 DOWL

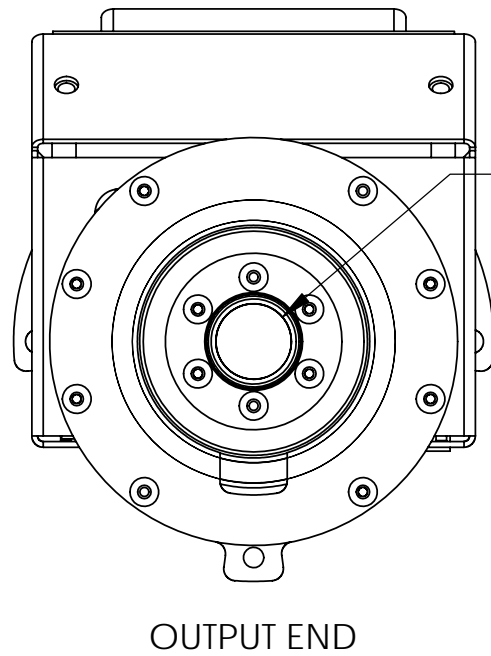


3X 6-32 THRU 120° SPACED EQUALLY

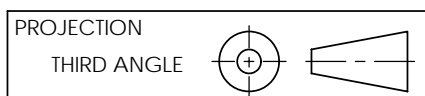
.027 TO CoG



Ø.394 OUTPUT APERTURE



- NOTES:  
 1. SYSTEM MASS - 2.3 lbs  
 2. CENTER OF GRAVITY (CoG) LOCATED AS SHOWN.



PROJECTION  
THIRD ANGLE

NOTICE: THIS DOCUMENT CONTAINS CONFIDENTIAL PROPRIETARY INFORMATION THAT IS OPTRA PROPERTY. DO NOT DISCLOSE TO OR DUPLICATE FOR OTHERS EXCEPT AS AUTHORIZED BY OPTRA.

X-XXXX-X	CBS SWaP
NEXT ASSY	USED ON
APPLICATION	
MATERIAL	

UNLESS OTHERWISE SPECIFIED DIMENSION TOLERANCES ARE:  
 INCHES: X.X ± .030 X ± 0.5  
 X.XX ± .010 X.X ± 0.2  
 X.XXX ± .005 X.XX ± 0.10

ANGLES X ± 1°  
 SURFACE 63

REMOVE BURRS AND BREAK ALL SHARP EDGES

DO NOT SCALE FROM PRINT

DRAWN XXX XX/XX/XX  
 ENG TJE 07/22/05

**OPTRA**

461 BOSTON ST.  
 TOPSFIELD, MA 01983  
 (978) 887-6600

TITLE <b>SENSOR ASSEMBLY, CBS SWaP</b>		
SIZE <b>B</b>	DRAWING NO. <b>1-1329-2</b>	REV <b>AA</b>
SCALE <b>1:1</b>	SHEET 1 OF 1	

4

3

2

1