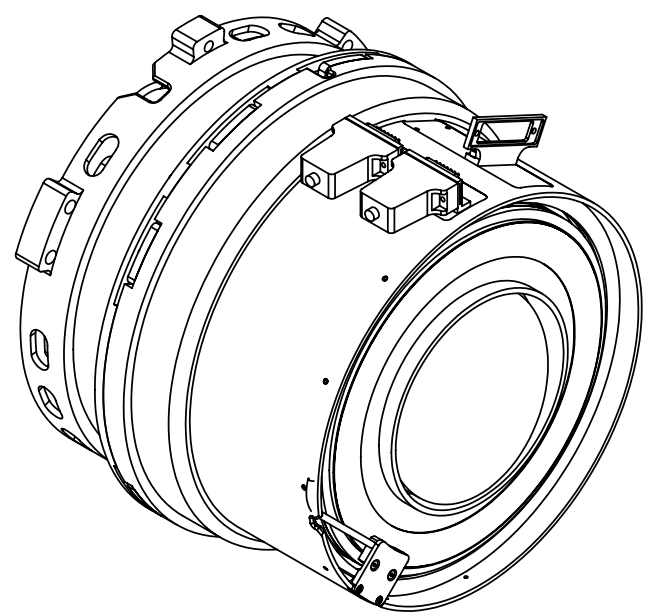
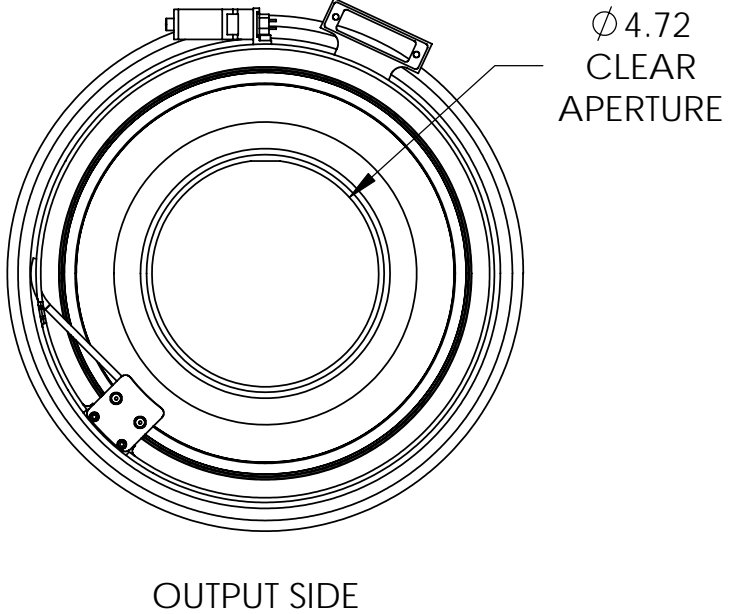
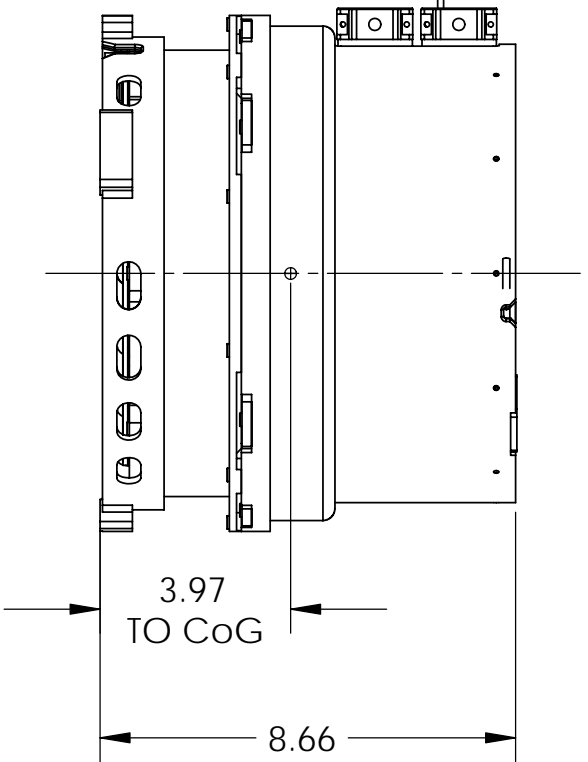
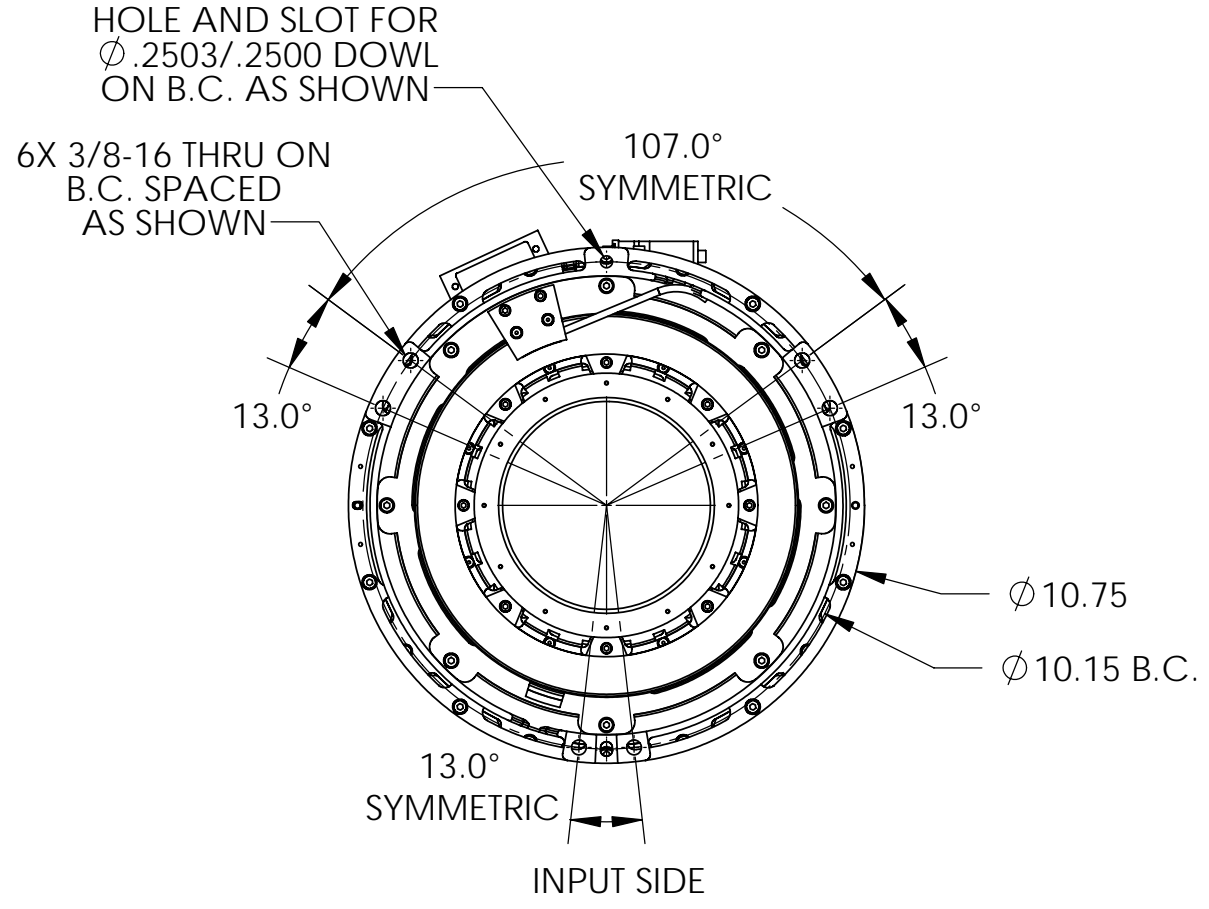


REVISIONS			
REV	DESCRIPTION	DATE	APPD



- NOTES:
- OVERALL SYSTEM MASS - 54.77 lbs
 - ROTATING MASS - 24.72 lbs
 - CENTER OF GRAVITY (CoG) OF ENTIRE SYSTEM LOCATED AS SHOWN.

PROJECTION
THIRD ANGLE

NOTICE: THIS DOCUMENT CONTAINS CONFIDENTIAL PROPRIETARY INFORMATION THAT IS OPTRA PROPERTY. DO NOT DISCLOSE TO OR DUPLICATE FOR OTHERS EXCEPT AS AUTHORIZED BY OPTRA.

X-XXXX-X	ALT
NEXT ASSY	USED ON
APPLICATION	
MATERIAL	

UNLESS OTHERWISE SPECIFIED DIMENSION TOLERANCES ARE:

INCHES:	mm:
X.X ± .030	X ± 0.5
X.XX ± .010	X.X ± 0.2
X.XXX ± .005	X.XX ± 0.10

ANGLES
X ± 1°

SURFACE $\sqrt{63}$

REMOVE BURRS AND BREAK ALL SHARP EDGES

DO NOT SCALE FROM PRINT

DRAWN	TJE	02/19/05
ENG	GG	06/15/06

OPTRA 461 BOSTON ST.
TOPSFIELD, MA 01983
(978) 887-6600

TITLE **SENSOR ASSEMBLY, ALT**

SIZE	DRAWING NO.	REV
B	1-1289-2	AA

SCALE 1:4

SHEET 1 OF 1