

4

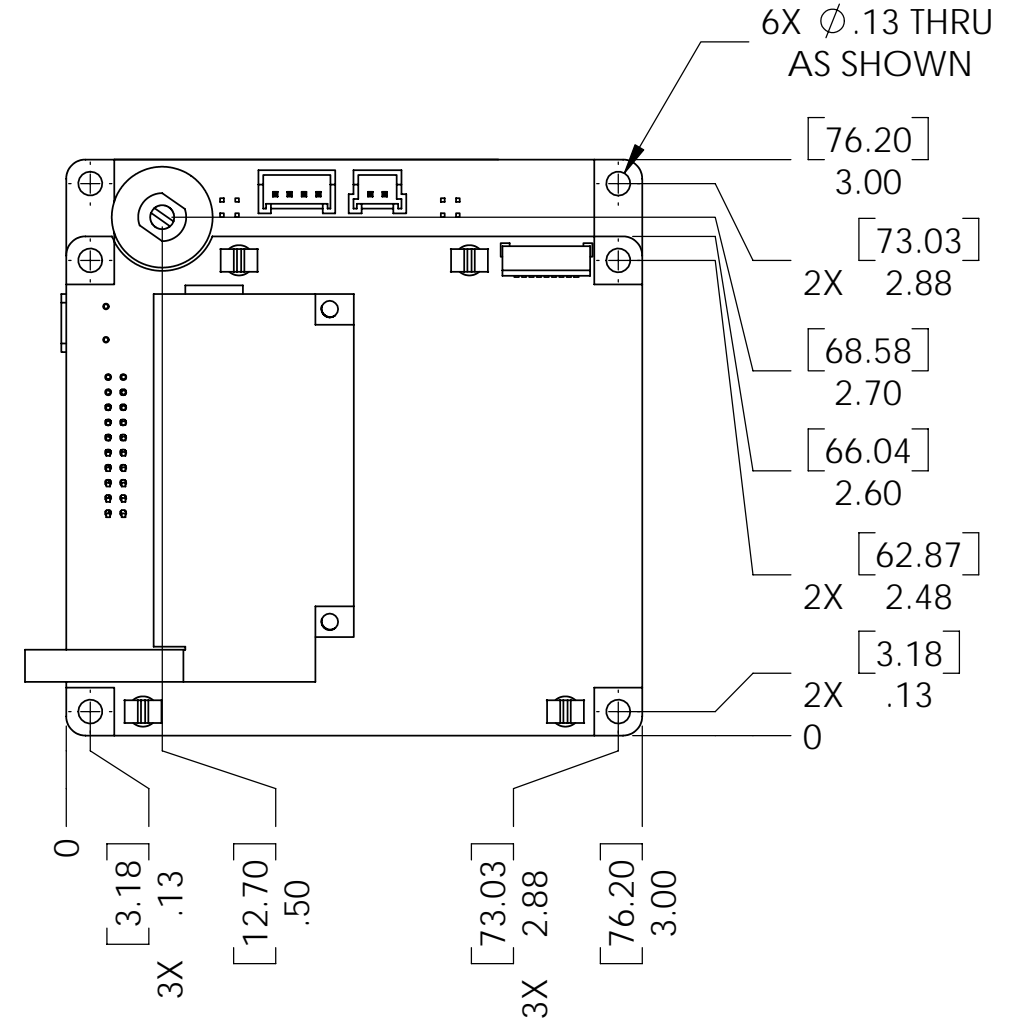
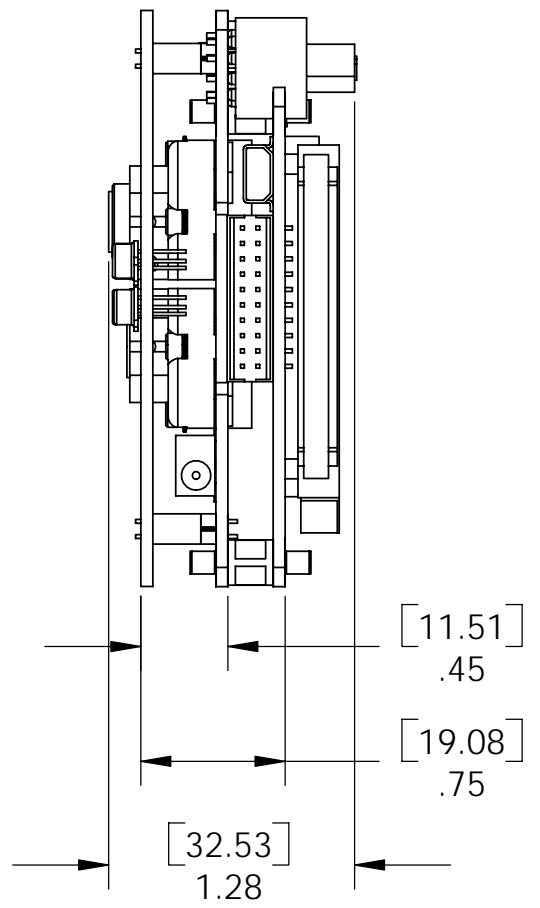
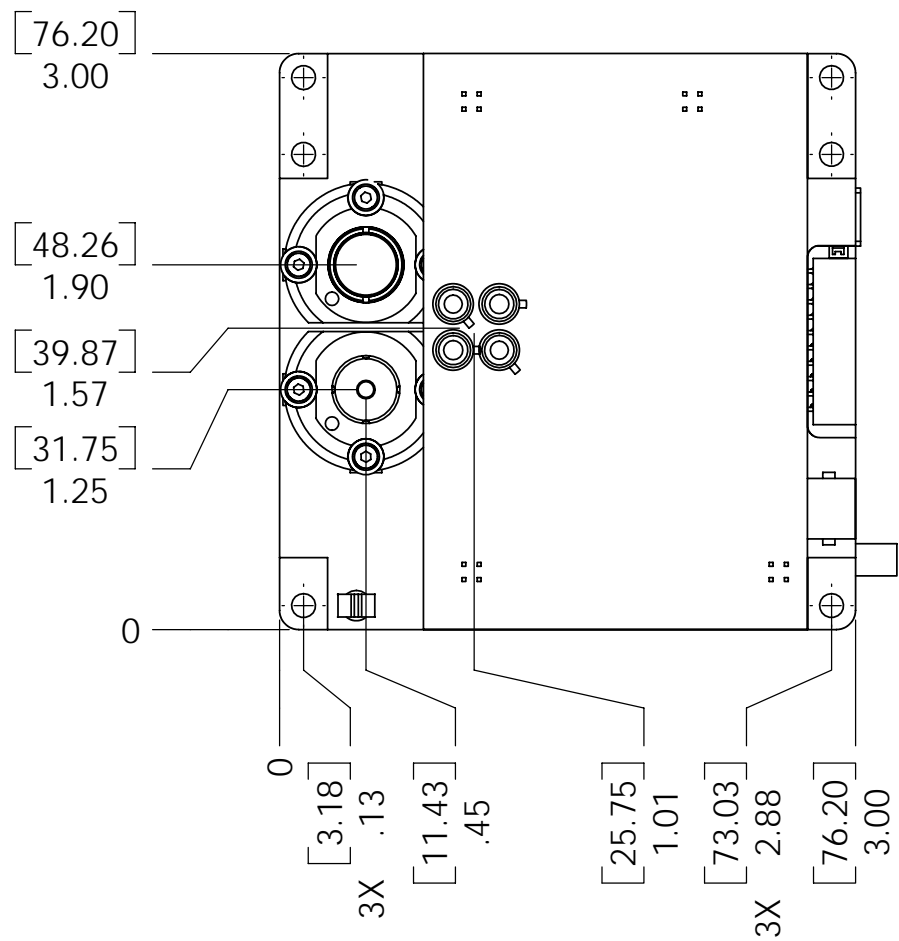
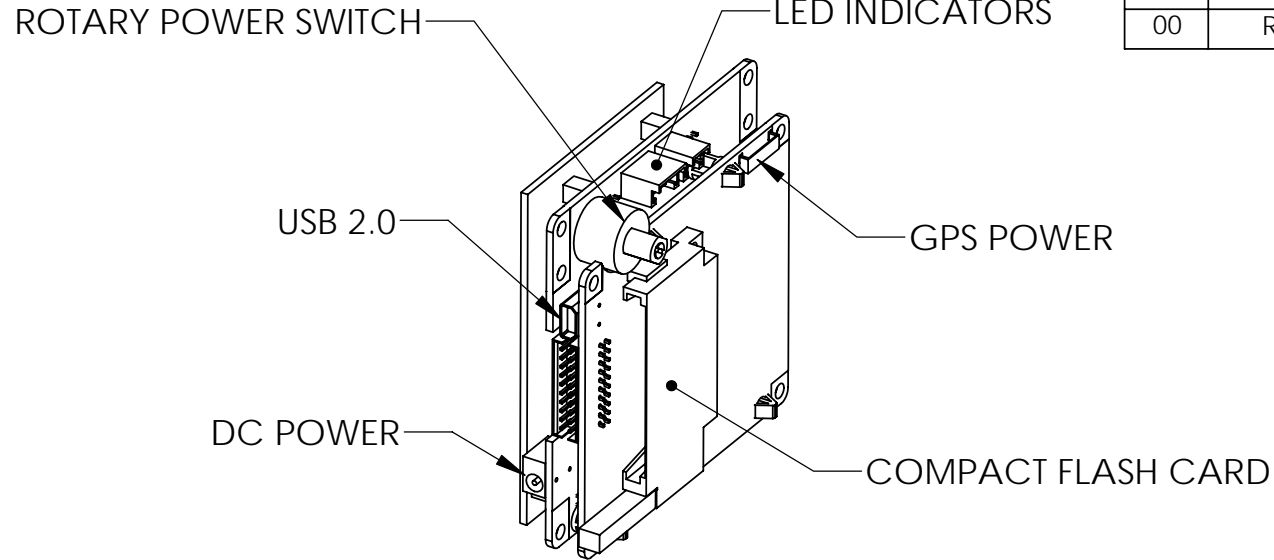
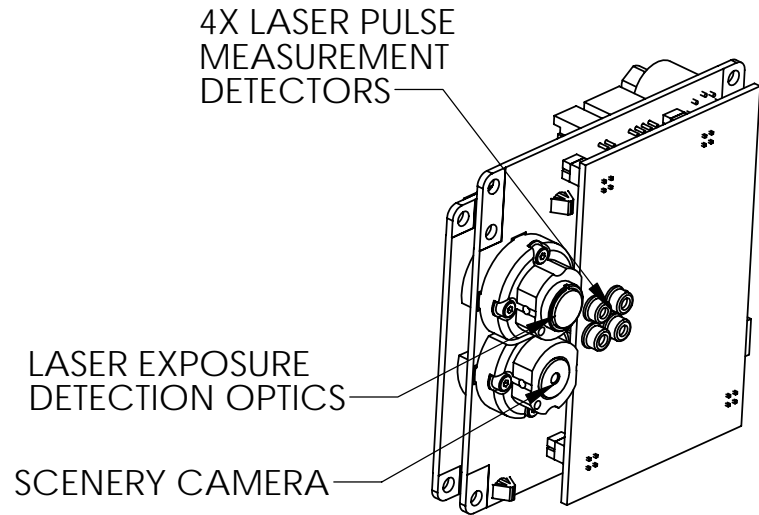
3

2

1

REVISIONS

REV	DESCRIPTION	DATE	APPD
00	RELEASE TO POWERWAY	1/29/10	



- NOTES:  
 1. UNITS: [ MM ]  
           INCHES  
 2. FINISH: SEE PARTS LIST

PROJECTION  
 THIRD ANGLE

NOTICE: THIS DOCUMENT CONTAINS CONFIDENTIAL PROPRIETARY INFORMATION THAT IS OPTRA PROPERTY. DO NOT DISCLOSE TO OR DUPLICATE FOR OTHERS EXCEPT AS AUTHORIZED BY OPTRA.

X-XXXX-X	LER P3 IDIQ
NEXT ASSY	USED ON
APPLICATION	
MATERIAL SEE PARTS LIST	
DRAWN TJE	06/26/06
ENG DLC	06/26/06

UNLESS OTHERWISE SPECIFIED DIMENSION TOLERANCES ARE:  
 INCHES: mm:  
 X.X ± .030 X ± 0.5  
 X.XX ± .010 X.X ± 0.2  
 X.XXX ± .005 X.XX ± 0.10

ANGLES X ± 1°  
 SURFACE

REMOVE BURRS AND BREAK ALL SHARP EDGES

DO NOT SCALE FROM PRINT



461 BOSTON ST.  
 TOPSFIELD, MA 01983  
 (978) 887-6600

TITLE OEM (PCB) Mechanical Interface Dwg, LER Mod III		REV 00
SIZE B	DRAWING NO. 3-0382-2	
SCALE 1:1	SHEET 1 OF 1	